

Technical data symbols

The following symbols are used in the technical data charts

Dimensions

Size

States tire size designation.

LI - SS

States tire Load Index and Speed Symbol.

LI is a code for the tire load capacity at its nominal maximum speed. SS is a code indicating the tire nominal maximum speed.

PR

States tire ply rating and is a strength code for the tire carcass.

Type or Tread pattern

States the tire tread symbol or pattern. If it is a tubeless tire, the tire is marked with the symbol TL after the tread symbol.

New tire

States tire diameter and width in inches, when the tire is originally mounted with a nominal inflation pressure.

SW

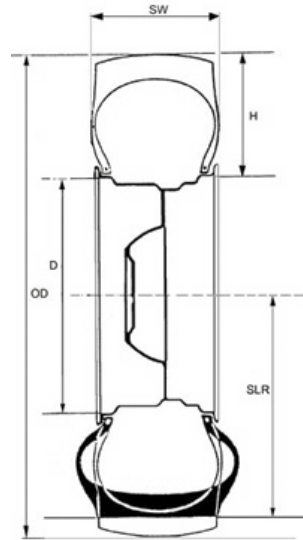
The Section Width of the unloaded tire. If the tire is fitted on a rim which is narrower (or wider) than that underlined, the section width is obtained by decreasing (or increasing) the value shown by 40% of the rim width variation (in millimetres).

OD

The Overall Diameter of the unloaded tire.

RC

Rolling Circumference at reference load and pressure. Distance covered in one complete revolution of the wheel on an asphalt road. Value in inches measured according to ISO11795.



SLR

Static Loaded Radius is the radius from the wheel centre down to the ground, at reference load and pressure. The difference between unloaded radius and static loaded radius is called deflection. This value varies between 15-30% of the tire section height, depending on tire type.

SRI

The Speed Radius Index states a theoretical value only to be used for calculation of the max speed of a vehicle according to EU homologation procedures.

Tire in service

States the tire max. diameter and width in inches that the tire may reach during its lifetime. These are the measurements manufacturers should pay attention to when designing new vehicles and machinery, to obtain adequate clearance for the wheel.

Rim

States recommended rim size. Rim width is expressed in inches e.g. **16.00**. A letter symbol in connection with rim width represents the code for the rim contour. The rim diameter is expressed in inches.

Rim diameters ending with 0.5 (17.5, 22.5 etc.) are 15-degree rims. Remaining rims are 5-degree (34, 38, 42 etc.). In the table only the rim width is stated.

Please check the list of rims included.

Tube

States the tube to be used for each size. Example of tube marking:

STT brand	Size designation	valve
	7.50 – 16 (*)	TR15
	520/70-30 / 18.4-30 (**)	TR218
TWIN brand	Size designation	valve
	600/55-30.5 / 600/60-30.5 (**)	TR218

- (*) The tube is marked in the same way as the corresponding type. No marking on the tube concerning valve type.
- (**) Double size marking means that the tube fits the corresponding tire sizes. No marking on the tube concerning valve type.

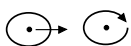
Speed



The speed indicated in the table represents the maximum speed in use for the tire at the given load and pressure. Speed notation

in bold types states the nominal speed for the tire.

Speed 1 Km/h = 0.62 mph

Free rolling and driving wheel



These are new symbols used for Implement tires and states free rolling  and driving service .

Loadwise, the load capacity is 30% less for driving wheels than for free rolling wheels.

Inflation pressure

The inflation pressures refer to tires at ambient temperature. The values given in the tables represent the “**reference pressure**” for the load and speed conditions shown. The actual pressure of the tire must be established in accordance with the mechanical characteristics of the vehicle, the additional load from the use of equipment and additional storage facilities, as well as the load conditions.

These values can be obtained from the “**load / pressure / application**” tables according to the use:

Tractor tires

- on road at various speeds
- on field at “high torque” (ploughing, harrowing, etc.)
- on field at “low torque”(surface works, sowing, etc.)
- cyclic loading service on harvesting machines

Implement tires

- free rolling wheel - road service
- free rolling wheel - field service
- driving wheel - road service
- driving wheel - field service

Forestry tires

- on road
- on light terrain
- on heavy terrain and road service
- on very heavy terrain

Green area and garden tires

- on road
- on field

AMPT tires or loaders and excavator tires

- road service
- field service

For tires with A8 or D marking, in frequent or long distance road transport at speeds of more than 20 mph, the inflation pressure should be increased by 6 psi over the nominal value obtained for effective loads on the axles.

Inflation pressure **1 bar = 100 kPa**
1 bar = 14,5 psi

Load capacity

The load capacity is the maximum load (expressed in lb) a tire is permitted to carry under specified operating conditions. The nominal load is stated in bold type.