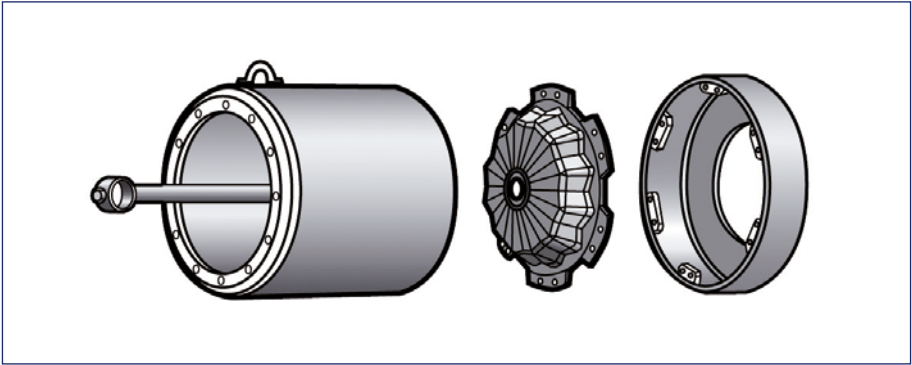


# Twining

Dual mounting system.



## Advantages

- One supplier for the complete package: tyre - wheel - dual
- The twining is an extension of the axle
- Easy maintenance, easy service
- Self-cleaning system
- No modifications needed to the tractor
- Tension and stress will not increase on the original wheel
- New innovative solutions to give easy mounting
- All wheels used are complete with disc

## Colours

The rims are powder coated own facility and are available in different colours. Rims can also be supplied

without powder-coated. If you have any question please contact the Trelleborg expert in your area.

